



12540 Bass
12640 Mega Bass



bass



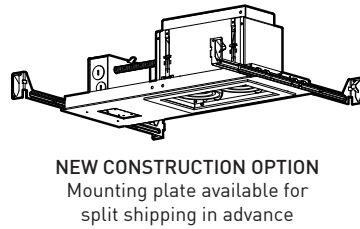
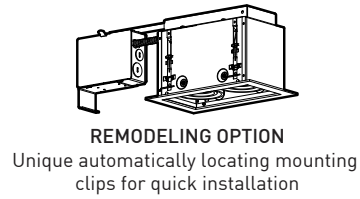
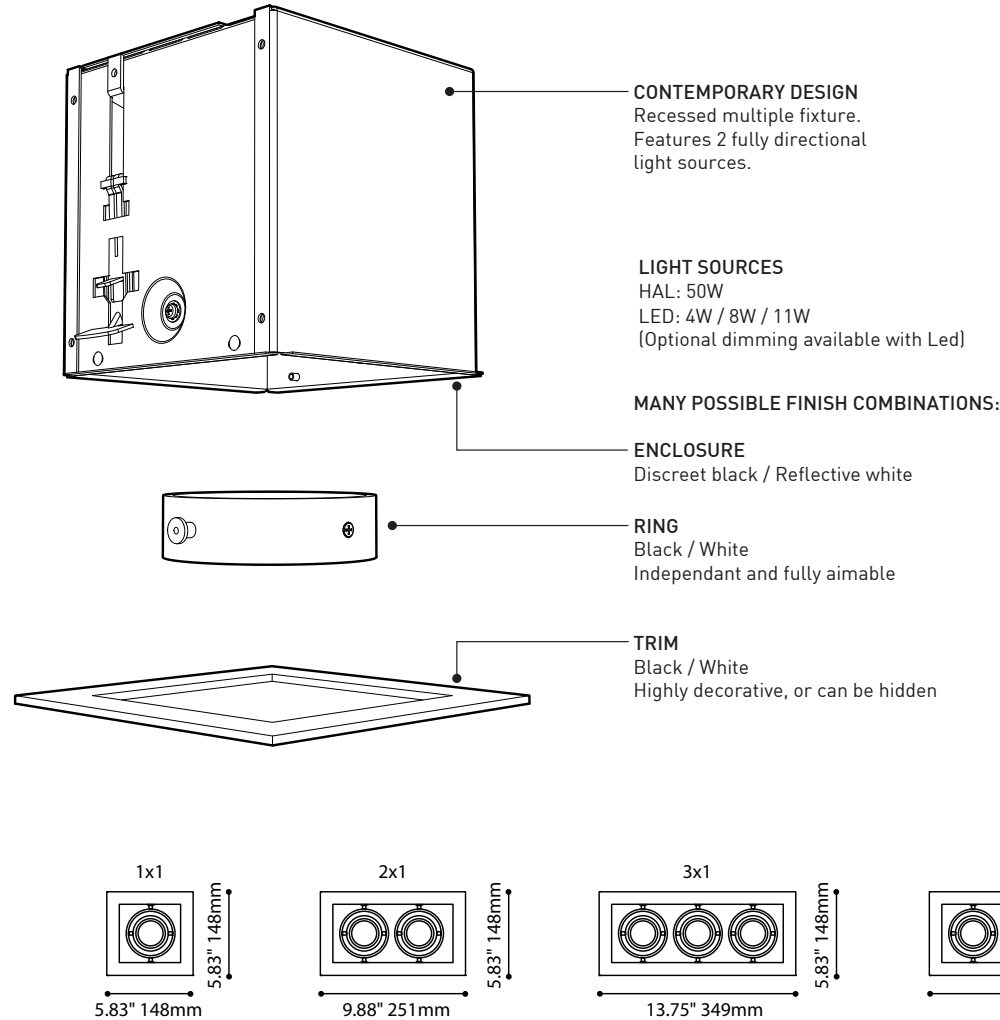
mega bass

mega bass

ANATOMY



12540-XXX

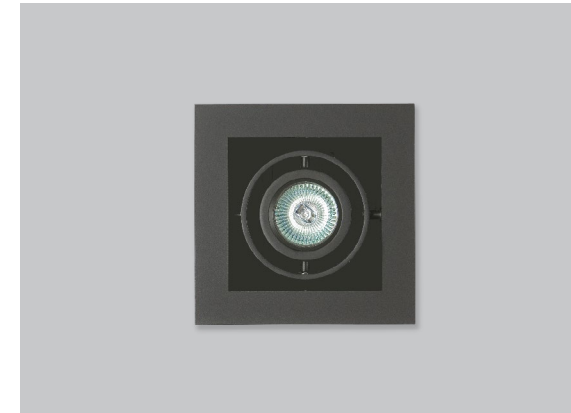


SPECIFICATIONS	LED 4W	LED 8W	LED 11W
LIGHT SOURCE	4 x Nichia	4 x Nichia	1 x Nichia Chip On Board (COB)
OPTIC	TIR - 17° & 48° total beam angle	TIR - 17° & 48° total beam angle	TIR - 20° & 40° total beam angle
MODULE	UL recognized - made in USA		
LUMENS (DELIVERED)	514 lm (4000K)	947 lm (4000K)	1629 lm (4000K)
EFFICIENCY	100 lm/w (4000K)	90 lm/w (4000K)	90 lm/w (4000K)
CCT	ANSI 4000K 3-Step MacAdam Ellipse Binning		
CRI	84 CRI (typical)	84 CRI (typical)	83 CRI (typical)
DRIVER (NON-DIMMING)	350 mA Constant Current	700mA Constant Current	350 mA Constant Current
DRIVER (DIMMING)	0-10V Dimming (DV) / Phase Dimming (DP)		
VOLTAGE	120V or 277V		
L70 / LM-79	50 000 hrs / On request	50 000 hrs / On request	50 000 hrs / On request
CERTIFICATION / WARRANTY	c-UL-us / 5 year		

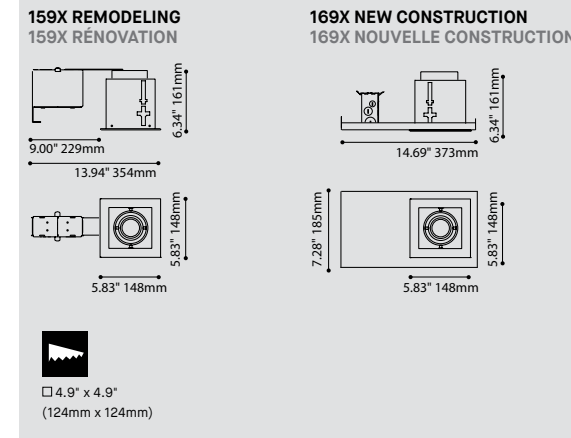
*Please consult factory for dimming & controller options.

12540-1X1

PROJECT PROJÉT
SPEC TYPE
NOTES



FINISH COMBINATIONS COMBINAISONS DE FINIS



ORDERING SPECIFICATION	SÉPÉCIFICATION DE COMMANDE	CODE
MODEL MODÈLE	BASS 1X1	12540-1X1
HOUSINGS BOÎTIERS		
159X	REMODELING	
169X	NEW CONSTRUCTION	
LIGHT SOURCE SOURCE LUMINEUSE		
MR16.50.E	50W, HAL, MR16, GU5.3 BASE	
MR16LED.16.E	16W MAX., LED, MR16, GU5.3 BASE	
LED.4	4W, LED	
LED.8	8W, LED	
LED.11	11W, LED	
COLOR TEMPERATURE TEMPÉRATURE DE COULEUR		
FOR LED ONLY		
30	3000K	
35	3500K	
40	4000K	
ANGLE BEAM ANGLE DE FAISCEAU		
FOR LED ONLY		
LED.4 / LED.8		
17	17°	
48	48°	
LED.11		
20	20°	
40	40°	
VOLTAGE VOLTAGE		
120V	120 VOLT	
277V*	277 VOLT	
	*NOT AVAILABLE IN LED 8W WITHOUT DV DRIVER OPTION	
DIMMING OPTION OPTION DE GRADATION		
AVAILABLE WITH LED ONLY		
DV	0-10V DIMMING (120V-277V)	
DP	PHASE DIMMING (120V ONLY)	
	LED DIMMING DRIVER IS OPTIONAL FOR 12540-1X1 4W & 8W AND STANDARD FOR 12540-1X1 11W, 12540-2X1, 12540-3X1 AND 12540-4X1, PLEASE SPECIFY YOUR DIMMING TYPE.	
TRIM FINISH FINI CADRE		
BLK	BLACK	
WH	WHITE	
RING FINISH FINI ANNEAUX		
BLK	BLACK	
WH	WHITE	
ENCLOSURE FINISH FINI BOÎTIER		
BLK	BLACK	
WH	WHITE	
ACCESSORY ACCESSOIRE		
19540-1X1	FLUSH™ MOUNTING ACCESSORY (FOR 12540-1X1)	

PRODUCT CHARACTERISTICS CARACTÉRISTIQUES DU PRODUIT



The contemporary and functional Bass multiple recessed fixture, features up to four fully directional light sources in both linear and square formats. Available with both standard and high performance Eureka LED modules with optional phase dimming (DP - 120V only) and 0-10V dimming (DV), as well as, MR16 lamp types (LED retrofit or halogen). Dimming is available for all light sources. To maximize design flexibility, the rings and the finish trim of the Bass are available in black or white, while the enclosure is offered in reflective white or discreet black. Using our patented automatically locating mounting clip, Bass is designed for quick installation in both new construction ceilings (169X) or when remodeling (159X) in an existing ceiling. When time is tight the 169X new construction option can be split so that the mounting plate and connection box with quick-connect are shipped in advance of the fixture housing. For a clean look without the hassle of a trim-less installation, the Bass fixture can be installed using our Flush™ mounting accessory (19540).

12540-2X1

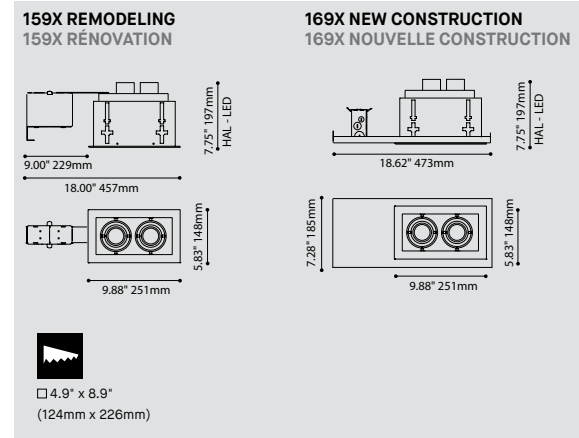
PROJECT PROJÉT
SPEC TYPE
NOTES



FINISH COMBINATIONS COMBINAISONS DE FINIS



BLK-BLK-BLK WH-BLK-BLK WH-WH-WH



ORDERING SPECIFICATION	SPECIFICATION DE COMMANDE	CODE
MODEL MODÈLE	12540-2X1 BASS 2X1	12540-2X1
HOUSINGS BOÎTIERS		
159X	REMODELING	
169X	NEW CONSTRUCTION	
LIGHT SOURCE SOURCE LUMINEUSE		
MR16.50.E	50W, HAL, MR16, GU5.3 BASE	
MR16LED.16.E	16W MAX., LED, MR16, GU5.3 BASE	
LED.4	4W, LED	
LED.8	8W, LED	
LED.11	11W, LED	
COLOR TEMPERATURE TEMPÉRATURE DE COULEUR		
FOR LED ONLY		
30	3000K	
35	3500K	
40	4000K	
ANGLE BEAM ANGLE DE FAISCEAU		
FOR LED ONLY		
LED.4 / LED.8		
17	17°	
48	48°	
LED.11		
20	20°	
40	40°	
VOLTAGE VOLTAGE		
120V	120 VOLT	
277V*	277 VOLT	
	*NOT AVAILABLE IN LED 8W WITHOUT DV DRIVER OPTION	
DIMMING OPTION OPTION DE GRADATION		
AVAILABLE WITH LED ONLY		
DV	0-10V DIMMING (120V-277V)	
DP	PHASE DIMMING (120V ONLY)	
	LED DIMMING DRIVER IS OPTIONAL FOR 12540-1X1 4W & 8W AND STANDARD FOR 12540-1X1 11W, 12540-2X1, 12540-3X1 AND 12540-4X1, PLEASE SPECIFY YOUR DIMMING TYPE.	
TRIM FINISH FINI CADRE		
BLK	BLACK	
WH	WHITE	
RING FINISH FINI ANNEAUX		
BLK	BLACK	
WH	WHITE	
ENCLOSURE FINISH FINI BOÎTIER		
BLK	BLACK	
WH	WHITE	
ACCESSORY ACCESSOIRE		
19540-2X1	FLUSH™ MOUNTING ACCESSORY (FOR 12540-2X1)	

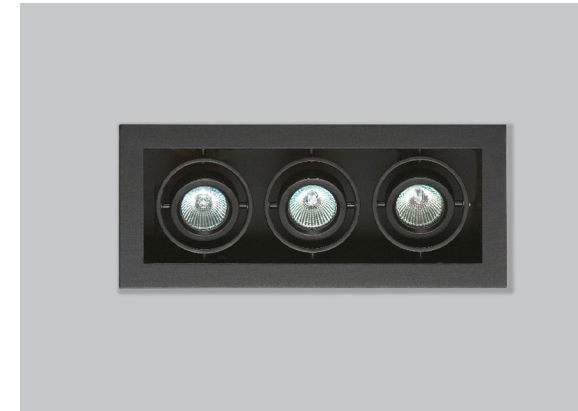
PRODUCT CHARACTERISTICS CARACTÉRISTIQUES DU PRODUIT



The contemporary and functional Bass multiple recessed fixture, features up to four fully directional light sources in both linear and square formats. Available with both standard and high performance Eureka LED modules with optional phase dimming (DP - 120V only) and 0-10V dimming (DV), as well as, MR16 lamp types (LED retrofit or halogen). Dimming is available for all light sources. To maximize design flexibility, the rings and the finish trim of the Bass are available in black or white, while the enclosure is offered in reflective white or discreet black. Using our patented automatically locating mounting clip, Bass is designed for quick installation in both new construction ceilings (169X) or when remodeling (159X) in an existing ceiling. When time is tight the 169X new construction option can be split so that the mounting plate and connection box with quick-connect are shipped in advance of the fixture housing. For a clean look without the hassle of a trim-less installation, the Bass fixture can be installed using our Flush™ mounting accessory (19540).

12540-3X1

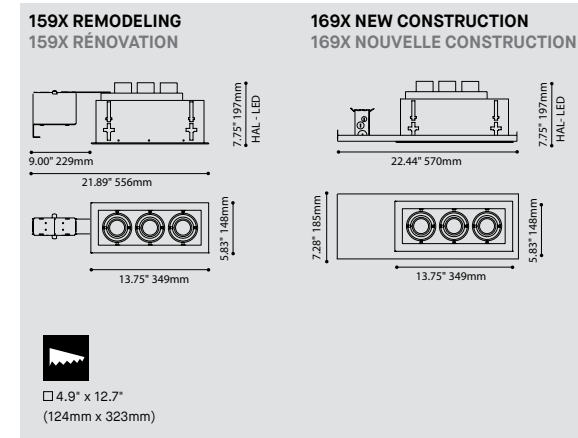
PROJECT PROJÉT
SPEC TYPE
NOTES



FINISH COMBINATIONS COMBINAISONS DE FINIS



BLK-BLK-BLK WH-BLK-BLK WH-WH-WH



ORDERING SPECIFICATION	SPECIFICATION DE COMMANDE	CODE
MODEL MODÈLE	12540-3X1 BASS 3X1	12540-3X1
HOUSINGS BOÎTIERS		
159X	REMODELING	
169X	NEW CONSTRUCTION	
LIGHT SOURCE SOURCE LUMINEUSE		
MR16.50.E	50W, HAL, MR16, GU5.3 BASE	
MR16LED.16.E	16W MAX., LED, MR16, GU5.3 BASE	
LED.4	4W, LED	
LED.8	8W, LED	
LED.11	11W, LED	
COLOR TEMPERATURE TEMPÉRATURE DE COULEUR		
FOR LED ONLY		
30	3000K	
35	3500K	
40	4000K	
ANGLE BEAM ANGLE DE FAISCEAU		
FOR LED ONLY		
LED.4 / LED.8		
17	17°	
48	48°	
LED.11		
20	20°	
40	40°	
VOLTAGE VOLTAGE		
120V	120 VOLT	
277V*	277 VOLT	
	*NOT AVAILABLE IN LED 8W WITHOUT DV DRIVER OPTION	
DIMMING OPTION OPTION DE GRADATION		
AVAILABLE WITH LED ONLY		
DV	0-10V DIMMING (120V-277V)	
DP	PHASE DIMMING (120V ONLY)	
	LED DIMMING DRIVER IS OPTIONAL FOR 12540-1X1 4W & 8W AND STANDARD FOR 12540-1X1 11W, 12540-2X1, 12540-3X1 AND 12540-4X1, PLEASE SPECIFY YOUR DIMMING TYPE.	
TRIM FINISH FINI CADRE		
BLK	BLACK	
WH	WHITE	
RING FINISH FINI ANNEAUX		
BLK	BLACK	
WH	WHITE	
ENCLOSURE FINISH FINI BOÎTIER		
BLK	BLACK	
WH	WHITE	
ACCESSORY ACCESSOIRE		
19540-3X1	FLUSH™ MOUNTING ACCESSORY (FOR 12540-3X1)	

PRODUCT CHARACTERISTICS CARACTÉRISTIQUES DU PRODUIT



The contemporary and functional Bass multiple recessed fixture, features up to four fully directional light sources in both linear and square formats. Available with both standard and high performance Eureka LED modules with optional phase dimming (DP - 120V only) and 0-10V dimming (DV), as well as, MR16 lamp types (LED retrofit or halogen). Dimming is available for all light sources. To maximize design flexibility, the rings and the finish trim of the Bass are available in black or white, while the enclosure is offered in reflective white or discreet black. Using our patented automatically locating mounting clip, Bass is designed for quick installation in both new construction ceilings (169X) or when remodeling (159X) in an existing ceiling. When time is tight the 169X new construction option can be split so that the mounting plate and connection box with quick-connect are shipped in advance of the fixture housing. For a clean look without the hassle of a trim-less installation, the Bass fixture can be installed using our Flush™ mounting accessory (19540).

12540-4X1

PROJECT PROJÉT
SPEC TYPE
NOTES



FINISH COMBINATIONS COMBINAISONS DE FINIS



BLK-BLK-BLK WH-BLK-BLK WH-WH-WH

159X REMODELING 159X RÉNOVATION

9.00" 229mm
25.73" 653mm
17.63" 448mm
7.58" 193mm
5.83" 148mm

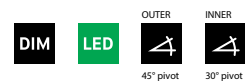
169X NEW CONSTRUCTION 169X NOUVELLE CONSTRUCTION

26.26" 667mm
17.63" 448mm
7.58" 193mm
5.83" 148mm

□ 4.9" x 16.5" (124mm x 419mm)

ORDERING SPECIFICATION	SÉPÉCIFICATION DE COMMANDE	CODE
MODEL MODÈLE	12540-4X1 BASS 4X1	12540-4X1
HOUSINGS BOÎTIERS		
159X	REMODELING	
169X	NEW CONSTRUCTION	
LIGHT SOURCE SOURCE LUMINEUSE		
MR16.50.E	50W, HAL, MR16, GU5.3 BASE	
MR16LED.16.E	16W MAX., LED, MR16, GU5.3 BASE	
LED.4	4W, LED	
LED.8	8W, LED	
LED.11	11W, LED	
COLOR TEMPERATURE TEMPÉRATURE DE COULEUR		
FOR LED ONLY		
30	3000K	
35	3500K	
40	4000K	
ANGLE BEAM ANGLE DE FAISCEAU		
FOR LED ONLY		
LED.4 / LED.8		
17	17°	
48	48°	
LED.11		
20	20°	
40	40°	
VOLTAGE VOLTAGE		
120V	120 VOLT	
277V*	277 VOLT	
*NOT AVAILABLE IN LED 8W WITHOUT DV DRIVER OPTION		
DIMMING OPTION OPTION DE GRADATION		
AVAILABLE WITH LED ONLY		
DV	0-10V DIMMING (120V-277V)	
DP	PHASE DIMMING (120V ONLY)	
LED DIMMING DRIVER IS OPTIONAL FOR 12540-1X1 4W & 8W AND STANDARD FOR 12540-1X1 11W, 12540-2X1, 12540-3X1 AND 12540-4X1, PLEASE SPECIFY YOUR DIMMING TYPE.		
TRIM FINISH FINI CADRE		
BLK	BLACK	
WH	WHITE	
RING FINISH FINI ANNEAUX		
BLK	BLACK	
WH	WHITE	
ENCLOSURE FINISH FINI BOÎTIER		
BLK	BLACK	
WH	WHITE	
ACCESSORY ACCESSOIRE		
19540-4X1	FLUSH™ MOUNTING ACCESSORY (FOR 12540-4X1)	

PRODUCT CHARACTERISTICS CARACTÉRISTIQUES DU PRODUIT



The contemporary and functional Bass multiple recessed fixture, features up to four fully directional light sources in both linear and square formats. Available with both standard and high performance Eureka LED modules with optional phase dimming (DP - 120V only) and 0-10V dimming (DV), as well as, MR16 lamp types (LED retrofit or halogen). Dimming is available for all light sources. To maximize design flexibility, the rings and the finish trim of the Bass are available in black or white, while the enclosure is offered in reflective white or discreet black. Using our patented automatically locating mounting clip, Bass is designed for quick installation in both new construction ceilings (169X) or when remodeling (159X) in an existing ceiling. When time is tight the 169X new construction option can be split so that the mounting plate and connection box with quick-connect are shipped in advance of the fixture housing. For a clean look without the hassle of a trim-less installation, the Bass fixture can be installed using our Flush™ mounting accessory (19540).

ANATOMY



12640-XXX

CONTEMPORARY DESIGN
Recessed multiple fixture. Features up to 2 fully directional light sources.

LIGHT SOURCES
HAL: 50W
LED: 8W / 11W
(Optional dimming available with Led)

MANY POSSIBLE FINISH COMBINATIONS:

ENCLOSURE
Discreet black / Reflective white

RING
Black / White
Indépendants et directionnels

TRIM
Black / White
Highly decorative, or can be hidden

REMODELING OPTION
Unique automatically locating mounting clips for quick installation

NEW CONSTRUCTION OPTION
Mounting plate available for split shipping in advance

FLUSH™ MOUNTING ACCESSORY
Quick and clever design for a trim-less look

1x1

7.58" 193mm

2x1

13.56" 345mm

3x1

19.57" 497mm

4x1

25.56" 649mm

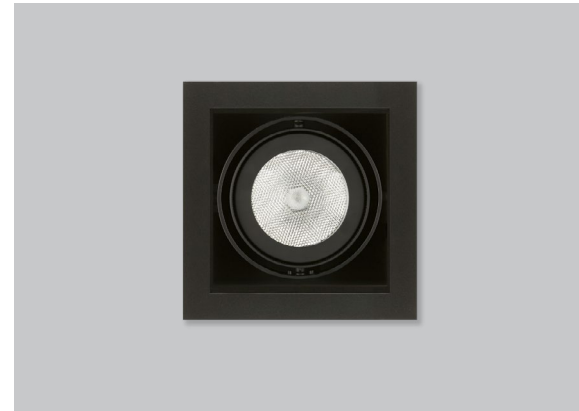
SPECIFICATIONS

	LED 8W	LED 11W
LIGHT SOURCE	4 x Nichia	1 x Nichia Chip On Board (COB) NSBLL066A
OPTIC	TIR - 20° & 38° total beam angle	TIR - 20° & 40° total beam angle
MODULE	UL recognized - made in USA	
LUMENS (DELIVERED)	945 lm (4000K)	1629 lm (4000K)
EFFICIENCY	95.45 lm/w (4000K)	110.81 lm/w (4000K)
CCT	ANSI 4000K 3-Step MacAdam Ellipse Binning	
CRI	84 CRI (typical)	83 CRI (typical)
DRIVER (NON-DIMMING)	700mA Constant Current	350 mA Constant Current
DRIVER (DIMMING)	0-10V Dimming (DV) / Phase Dimming (DP)	
VOLTAGE	120V or 277V	
L70 / LM-79	50 000 hrs / On request	50 000 hrs / On request
CERTIFICATION / WARRANTY	c-UL-us / 5 year	

*Please consult factory for dimming & controller options.

12640-1X1

PROJECT PROJÉT
SPEC TYPE
NOTES

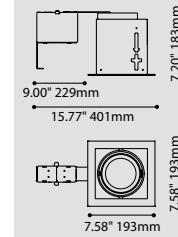


FINISH COMBINATIONS COMBINAISONS DE FINIS

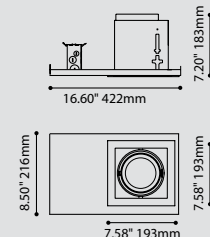


BLK-BLK-BLK WH-BLK-BLK WH-WH-WH

159X REMODELING 159X RÉNOVATION



169X NEW CONSTRUCTION 169X NOUVELLE CONSTRUCTION



ORDERING SPECIFICATION SPÉCIFICATION DE COMMANDE

MODEL MODÈLE	12640-1X1	CODE	12640-1X1
HOUSINGS BOÎTIERS			
159X	REMODELING		
169X	NEW CONSTRUCTION		
LIGHT SOURCE SOURCE LUMINEUSE			
MR16.50.E	50W, HAL, MR16, GU5.3 BASE		
MR16LED.16.E	16W MAX., LED, MR16, GU5.3 BASE		
LED.8	8W, LED		
LED.11	11W, LED		
COLOR TEMPERATURE TEMPÉRATURE DE COULEUR			
FOR LED ONLY			
30	3000K		
35	3500K		
40	4000K		
ANGLE BEAM ANGLE DE FAISCEAU			
FOR LED ONLY			
LED.8			
17	17°		
48	48°		
LED.11			
20	20°		
40	40°		
VOLTAGE VOLTAGE			
120V	120 VOLT		
277V*	277 VOLT		
	*NOT AVAILABLE IN LED 8W WITHOUT DV DRIVER OPTION		
DIMMING OPTION OPTION DE GRADATION			
FOR LED ONLY			
DV	0-10V DIMMING (120V-277V)		
DP	PHASE DIMMING (120V ONLY)		
	LED DIMMING DRIVER IS OPTIONAL FOR 12640-1X1 8W AND STANDARD FOR 12640-1X1 11W, 12640-2X1, 12640-2X2, 12640-3X1 AND 12640-4X1, PLEASE SPECIFY YOUR DIMMING TYPE.		
TRIM FINISH FINI CADRE			
BLK	BLACK		
WH	WHITE		
RING FINISH FINI ANNEAUX			
BLK	BLACK		
WH	WHITE		
ENCLOSURE FINISH FINI BOÎTIER			
BLK	BLACK		
WH	WHITE		
ACCESSORY ACCESSOIRE			
19640-1X1	FLUSH™ MOUNTING ACCESSORY (FOR 12640-1X1)		

PRODUCT CHARACTERISTICS CARACTÉRISTIQUES DU PRODUIT



The contemporary and functional Mega Bass multiple recessed fixture, features up to four fully directional light sources in linear format. Due to the larger format, a wide range light sources are available including both standard and high performance Eureka LED modules with optional phase dimming (DP - 120V only) or 0-10V dimming (DV), as well as, MR16 Lamp types (LED retrofit or halogen). Dimming available for all light sources. To maximize design flexibility, the rings and the finish trim of the Mega Bass are available in black or white, while the enclosure is offered in reflective white or discreet black. Using our patented automatically locating mounting clip, Mega Bass is designed for quick installation in both new construction ceilings (169X) or when remodeling (159X) in an existing ceiling. For a clean look without the hassle of a trim-less installation, the Bass fixture can be installed using our Flush™ mounting accessory (19640)

12640-2X1

PROJECT PROJÉT
SPEC TYPE
NOTES

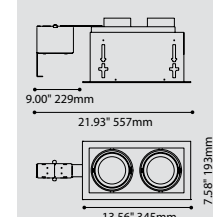


FINISH COMBINATIONS COMBINAISONS DE FINIS

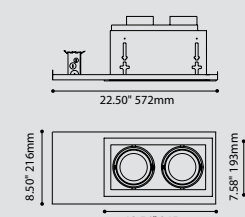


BLK-BLK-BLK WH-BLK-BLK WH-WH-WH

159X REMODELING 159X RÉNOVATION



169X NEW CONSTRUCTION 169X NOUVELLE CONSTRUCTION



ORDERING SPECIFICATION SPÉCIFICATION DE COMMANDE

MODEL MODÈLE	12640-2X1	CODE	12640-2X1
HOUSINGS BOÎTIERS			
159X	REMODELING		
169X	NEW CONSTRUCTION		
LIGHT SOURCE SOURCE LUMINEUSE			
MR16.50.E	50W, HAL, MR16, GU5.3 BASE		
MR16LED.16.E	16W MAX., LED, MR16, GU5.3 BASE		
LED.8	8W, LED		
LED.11	11W, LED		
COLOR TEMPERATURE TEMPÉRATURE DE COULEUR			
FOR LED ONLY			
30	3000K		
35	3500K		
40	4000K		
ANGLE BEAM ANGLE DE FAISCEAU			
FOR LED ONLY			
LED.8			
17	17°		
48	48°		
LED.11			
20	20°		
40	40°		
VOLTAGE VOLTAGE			
120V	120 VOLT		
277V*	277 VOLT		
	*NOT AVAILABLE IN LED 8W WITHOUT DV DRIVER OPTION		
DIMMING OPTION OPTION DE GRADATION			
FOR LED ONLY			
DV	0-10V DIMMING (120V-277V)		
DP	PHASE DIMMING (120V ONLY)		
	LED DIMMING DRIVER IS OPTIONAL FOR 12640-1X1 8W AND STANDARD FOR 12640-1X1 11W, 12640-2X1, 12640-3X1 AND 12640-4X1, PLEASE SPECIFY YOUR DIMMING TYPE.		
TRIM FINISH FINI CADRE			
BLK	BLACK		
WH	WHITE		
RING FINISH FINI ANNEAUX			
BLK	BLACK		
WH	WHITE		
ENCLOSURE FINISH FINI BOÎTIER			
BLK	BLACK		
WH	WHITE		
ACCESSORY ACCESSOIRE			
19640-2X1	FLUSH™ MOUNTING ACCESSORY (FOR 12640-2X1)		

PRODUCT CHARACTERISTICS CARACTÉRISTIQUES DU PRODUIT



The contemporary and functional Mega Bass multiple recessed fixture, features up to four fully directional light sources in linear format. Due to the larger format, a wide range light sources are available including both standard and high performance Eureka LED modules with optional phase dimming (DP - 120V only) or 0-10V dimming (DV), as well as, MR16 Lamp types (LED retrofit or halogen). Dimming available for all light sources. To maximize design flexibility, the rings and the finish trim of the Mega Bass are available in black or white, while the enclosure is offered in reflective white or discreet black. Using our patented automatically locating mounting clip, Mega Bass is designed for quick installation in both new construction ceilings (169X) or when remodeling (159X) in an existing ceiling. For a clean look without the hassle of a trim-less installation, the Bass fixture can be installed using our Flush™ mounting accessory (19640)

12640-3X1

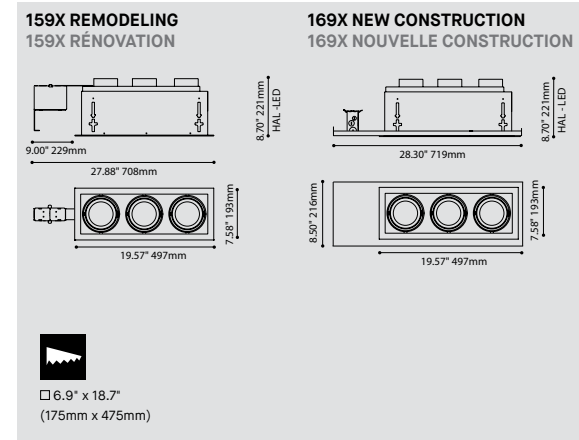
PROJECT PROJÉT
SPEC TYPE
NOTES



FINISH COMBINATIONS COMBINAISONS DE FINIS



BLK-BLK-BLK WH-BLK-BLK WH-WH-WH



ORDERING SPECIFICATION	SPECIFICATION DE COMMANDE	CODE
MODEL MODÈLE	12640-3X1 MEGA BASS 3X1	12640-3X1
HOUSINGS BOÎTIERS		
159X	REMODELING	
169X	NEW CONSTRUCTION	
LIGHT SOURCE SOURCE LUMINEUSE		
MR16.50.E	50W, HAL, MR16, GU5.3 BASE	
MR16LED.16.E	16W MAX., LED, MR16, GU5.3 BASE	
LED.8	8W, LED	
LED.11	11W, LED	
COLOR TEMPERATURE TEMPÉRATURE DE COULEUR		
FOR LED ONLY		
30	3000K	
35	3500K	
40	4000K	
ANGLE BEAM ANGLE DE FAISCEAU		
FOR LED ONLY		
LED.8		
17	17°	
48	48°	
LED.11		
20	20°	
40	40°	
VOLTAGE VOLTAGE		
120V	120 VOLT	
277V*	277 VOLT	
	*NOT AVAILABLE IN LED 8W WITHOUT DV DRIVER OPTION	
DIMMING OPTION OPTION DE GRADATION		
FOR LED ONLY		
DV	0-10V DIMMING (120V-277V)	
DP	PHASE DIMMING (120V ONLY)	
	LED DIMMING DRIVER IS OPTIONAL FOR 12640-1X1 8W AND STANDARD FOR 12640-1X1 11W, 12640-2X1, 12640-3X1 AND 12640-4X1. PLEASE SPECIFY YOUR DIMMING TYPE.	
TRIM FINISH FINI CADRE		
BLK	BLACK	
WH	WHITE	
RING FINISH FINI ANNEAUX		
BLK	BLACK	
WH	WHITE	
ENCLOSURE FINISH FINI BOÎTIER		
BLK	BLACK	
WH	WHITE	
ACCESSORY ACCESSOIRE		
19640-3X1	FLUSH™ MOUNTING ACCESSORY (FOR 12640-3X1)	

PRODUCT CHARACTERISTICS CARACTÉRISTIQUES DU PRODUIT



The contemporary and functional Mega Bass multiple recessed fixture, features up to four fully directional light sources in linear format. Due to the larger format, a wide range of light sources are available including both standard and high performance Eureka LED modules with optional phase dimming (DP - 120V only) or 0-10V dimming (DV), as well as, MR16 Lamp types (LED retrofit or halogen). Dimming available for all light sources. To maximize design flexibility, the rings and the finish trim of the Mega Bass are available in black or white, while the enclosure is offered in reflective white or discreet black. Using our patented automatically locating mounting clip, Mega Bass is designed for quick installation in both new construction ceilings (169X) or when remodeling (159X) in an existing ceiling. For a clean look without the hassle of a trim-less installation, the Bass fixture can be installed using our Flush™ mounting accessory (19640).

12640-4X1

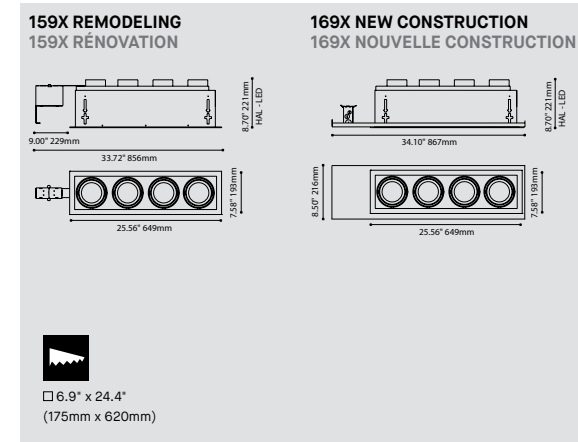
PROJECT PROJÉT
SPEC TYPE
NOTES



COMBINAISONS DE FINIS



BLK-BLK-BLK WH-BLK-BLK WH-WH-WH



ORDERING SPECIFICATION	SPECIFICATION DE COMMANDE	CODE
MODEL MODÈLE	12640-4X1 MEGA BASS 4X1	12640-4X1
HOUSINGS BOÎTIERS		
159X	REMODELING	
169X	NEW CONSTRUCTION	
LIGHT SOURCE SOURCE LUMINEUSE		
MR16.50.E	50W, HAL, MR16, GU5.3 BASE	
MR16LED.16.E	16W MAX., LED, MR16, GU5.3 BASE	
LED.8	8W, LED	
LED.11	11W, LED	
COLOR TEMPERATURE TEMPÉRATURE DE COULEUR		
FOR LED ONLY		
30	3000K	
35	3500K	
40	4000K	
ANGLE BEAM ANGLE DE FAISCEAU		
FOR LED ONLY		
LED.8		
17	17°	
48	48°	
LED.11		
20	20°	
40	40°	
VOLTAGE VOLTAGE		
120V	120 VOLT	
277V*	277 VOLT	
	*NOT AVAILABLE IN LED 8W WITHOUT DV DRIVER OPTION	
DIMMING OPTION OPTION DE GRADATION		
FOR LED ONLY		
DV	0-10V DIMMING (120V-277V)	
DP	PHASE DIMMING (120V ONLY)	
	LED DIMMING DRIVER IS OPTIONAL FOR 12640-1X1 8W AND STANDARD FOR 12640-1X1 11W, 12640-2X1, 12640-3X1 AND 12640-4X1. PLEASE SPECIFY YOUR DIMMING TYPE.	
TRIM FINISH FINI CADRE		
BLK	BLACK	
WH	WHITE	
RING FINISH FINI ANNEAUX		
BLK	BLACK	
WH	WHITE	
ENCLOSURE FINISH FINI BOÎTIER		
BLK	BLACK	
WH	WHITE	
ACCESSORY ACCESSOIRE		
19640-4X1	FLUSH™ MOUNTING ACCESSORY (FOR 12640-4X1)	

PRODUCT CHARACTERISTICS CARACTÉRISTIQUES DU PRODUIT



The contemporary and functional Mega Bass multiple recessed fixture, features up to four fully directional light sources in linear format. Due to the larger format, a wide range of light sources are available including both standard and high performance Eureka LED modules with optional phase dimming (DP - 120V only) or 0-10V dimming (DV), as well as, MR16 Lamp types (LED retrofit or halogen). Dimming available for all light sources. To maximize design flexibility, the rings and the finish trim of the Mega Bass are available in black or white, while the enclosure is offered in reflective white or discreet black. Using our patented automatically locating mounting clip, Mega Bass is designed for quick installation in both new construction ceilings (169X) or when remodeling (159X) in an existing ceiling. For a clean look without the hassle of a trim-less installation, the Bass fixture can be installed using our Flush™ mounting accessory (19640).

Photometric Report

LED.4.40.17
4 x LUXEON REBEL ES ON MCPCB, 4W @ 350 mA CCT 4000K CRI 85
17° BEAM ANGLE



Cone Diagram

Distance [ft]	Cone Diameter [ft]	Beam Angle	Center Illuminance [fc]	Edge Illuminance [fc]
1.4	0.37 0.36	17°	2442	1209
2.9	0.73 0.72	17°	610	302
4.3	1.10 1.08	17°	271	134
5.7	1.46 1.44	17°	153	76
7.1	1.83 1.80	17°	98	48
8.6	2.20 2.17	17°	68	34
10.0	2.56 2.53	17°	50	25

LED.4.40.48
4 x LUXEON REBEL ES ON MCPCB, 4W @ 350 mA CCT 4000K CRI 85
48° BEAM ANGLE



Cone Diagram

Distance [ft]	Cone Diameter [ft]	Beam Angle	Center Illuminance [fc]	Edge Illuminance [fc]
1.4	1.92 1.95	48°	157	65
2.9	3.84 3.90	48°	39	16
4.3	5.76 5.85	48°	17	7
5.7	7.68 7.80	48°	10	4
7.1	9.60 9.75	48°	6	3
8.6	11.52 11.69	48°	4	2
10.0	13.44 13.64	48°	3	1

LED.8.40.17
4 x LUXEON REBEL ES ON MCPCB, 8W @ 700 mA CCT 4000K CRI 85
17° BEAM ANGLE



Cone Diagram

Distance [ft]	Cone Diameter [ft]	Beam Angle	Center Illuminance [fc]	Edge Illuminance [fc]
1.6	0.61	17°	891	427
3.3	1.22	17°	223	107
4.9	1.82	17°	99	47
6.6	2.43	17°	56	27
8.2	3.04	17°	36	17
9.8	3.65	17°	25	12

LED.8.40.48
4 x LUXEON REBEL ES ON MCPCB, 8W @ 700 mA CCT 4000K CRI 85
48° BEAM ANGLE



Cone Diagram

Distance [ft]	Cone Diameter [ft]	Beam Angle	Center Illuminance [fc]	Edge Illuminance [fc]
1.6	1.20	48°	277	115
3.3	2.40	48°	69	29
4.9	3.60	48°	31	13
6.6	4.80	48°	17	7
8.2	6.00	48°	11	5
9.8	7.20	48°	8	3

LED.11.40.20
Nichia Chip On Board (COB), 11W @ 350 mA CCT 4000K CRI 83
20° BEAM ANGLE



Cone Diagram

Distance [ft]	Cone Diameter [ft]	Beam Angle	Center Illuminance [fc]	Edge Illuminance [fc]
1.6	0.82	20°	404	186
3.3	1.65	20°	101	46
4.9	2.47	20°	45	21
6.6	3.30	20°	25	12
8.2	4.12	20°	16	7
9.8	4.94	20°	11	5

LED.11.40.40
Nichia Chip On Board (COB), 11W @ 350 mA CCT 4000K CRI 83
40° BEAM ANGLE



Cone Diagram

Distance [ft]	Cone Diameter [ft]	Beam Angle	Center Illuminance [fc]	Edge Illuminance [fc]
1.4	1.05	40°	365	151
2.9	2.09	40°	91	38
4.3	3.14	40°	41	17
5.7	4.18	40°	23	9
7.1	5.23	40°	15	6
8.6	6.27	40°	10	4
10.0	7.32	40°	7	3



12450 Bass
12460 Mega Bass